

CMRI CERT NO.: - CIMFR/TC/P/H619
 SUPPL. T.C. NO.: - CIMFR/TC/S/H161
 CAT.NO.: - KCP-09-G-JB

TECHNICAL DATA

ENCLOSURE :-
 EX-d AS PER IS/IEC 60079-1:2007
 SUITABLE FOR INSTALLATION IN HAZARDOUS LOCATION

PROTECTION :-
 IP-66 AS PER IS/IEC (60529:2001)

AREA CLASSIFICATION :-
 ZONE -1 & 2

GAS GROUPS :-
 IIC

TEMPERATURE CLASS :-
 T6

MATERIAL OF CONSTRUCTION :-
 CAST AL ALLOY LM-6

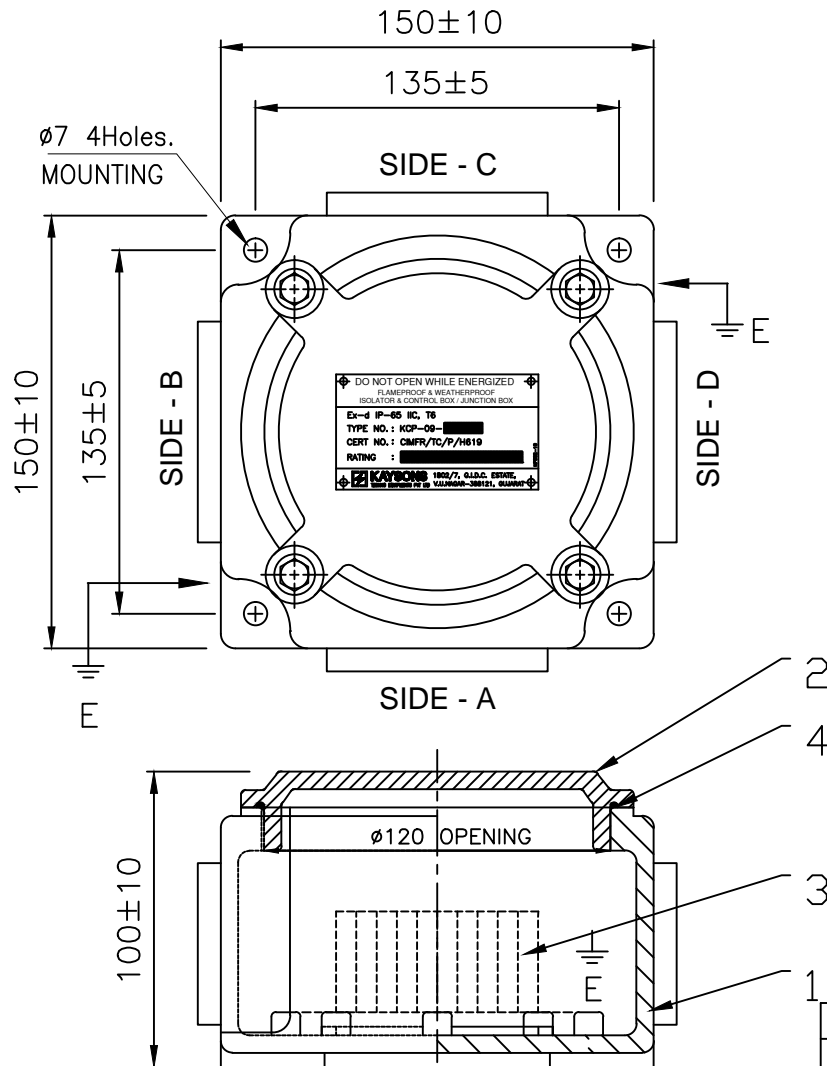
GASKET :-
 MOLDED NEOPRENE

HARDWARE :-
 STEEL ZINC PLATED/STAINLESS STEEL

FINISH :-
 YELLOW

EARTHING :-
 1 NO. INSIDE & 2 NOS. OUTSIDE

CABLE ENTRY :-
 TO BE SPECIFIED WHILE ORDERING.



CABLE ENTRY & TERMINAL DETAILS

NO.	DESCRIPTION	QTY	MAT./RATING	SR. NO.	TAG NO.	SIDE-A	SIDE-B	SIDE-C	SIDE-D	NO. OF CABLE ENTRY	NO. OF TERMINAL	QTY.
04.	GASKET (ENDLESS, MOULDED)	1	NEOPRENE									
03.	TERMINAL	A.R.	CLIPON TYPE									
02.	COVER	1	CAST AL. ALLOY									
01.	BODY	1	CAST AL. ALLOY									

THE INFORMATION CONTAINED IN THIS DRAWING IS THE PROPERTY OF KAYSONS TECHNO EQUIPMENTS PVT. LTD. AND IS NOT TO BE COPIED OR MISUSED IN ANY WAY.

CLIENT :-			
CONSULTANT :-			
P.O.NO. :-			
ISSUE	DATE	BY	MODIFICATION

DRAWN	KBP	1.8.13
APP'D	HPB	1.8.13
CH'D	NPB	1.8.13

KAYSONS 1802/7, G.I.D.C. ESTATE,
 TECHNO EQUIPMENTS PVT LTD V.U.NAGAR 388121. (GUJARAT)

DESCRIPTION:-
FLAMEPROOF WEATHERPROOF JUNCTION BOX

SHT.NO.	REV.	DRG.NO.:-
1 OF 1	0	J02